



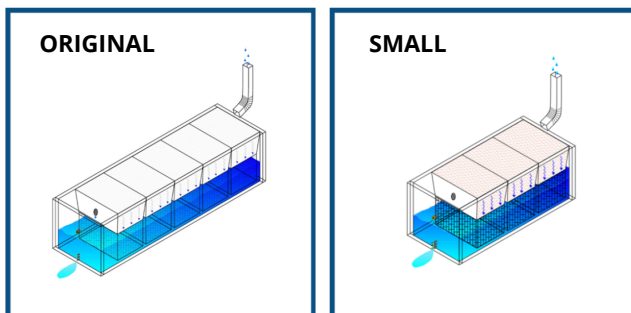
PRODUCT DATA SHEET



StormGUARDen™ is an innovative rainwater harvest solution that combines a rain garden and rain barrel into one eco-friendly gardening system.

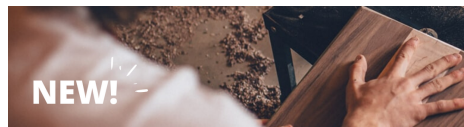
StormGUARDen comes in two sizes.

Choose between an **original** StormGUARDen and a **small**. Size variation available for both the StormGUARDen and the DIY Kit.



How StormGUARDen works:

Rainwater runoff from your roof flows through the downspout into a stone-filled trough that redirects the water into removable planting compartments. These compartments contain an engineered soil designed to filter pollutants and grow plants. Below this soil lies a layer of stone for water storage, giving plants access to water during dry weather. Excess water from the planting compartments overflows into an open reservoir below the soil. As the reservoir fills, water is slowly released through a set of small outlets and drains. Valves and plugs can also be added for water storage during dry conditions. StormGUARDen has the added benefit of being self-discharging, meaning it will always have the capacity to take on water from the next storm.



The DIY Kit allows you to build and connect an eco-friendly water management planter system to your home's downspout.

While lumber, soil components and plants will need to be purchased locally, this kit includes all of the interior elements you'll need to build the StormGUARDen, including detailed instructions regarding assembly.

Why should you consider a StormGUARDen?



StormGUARDen is an excellent, sustainable alternative to traditional rain barrels or rain gardens.

- Captures rainwater to grow beautiful gardens
- Helps protect from flooding issues & improves basement dryness
- Catches sump pump discharge
- Low maintenance & self-watering
- ADA accessible
- Durable, long-lasting & winter-proof

Get in touch with us!

(414) 520-5783

info@stormGUARDen.com

FREE Site Assessments in SE Wisconsin OR download self-site assessment at www.StormGUARDen.com.



StormGUARDen Product & Pricing Information

WE INSTALL

YOU INSTALL & SAVE WITH SHIPPABLE DIY KIT

	StormGUARDen <i>Original</i>	StormGUARDen <i>Small</i>	DIY Kit <i>Original</i>	DIY Kit <i>Small</i>
Dimensions	116"L x 37"W x 30"H	76"L x 37"W x 30"H	116"L x 37"W x 30"H	76"L x 37"W x 30"H
Capacity	350 gallons	225 gallons	350 gallons	225 gallons
Planting Containers	5	3	5	3
Planting Area	16.67 SF	10 SF	16.67 SF	10 SF
Material	Cedar or Treated Pine		Cedar or Treated Pine <input type="checkbox"/>	
Colors (+\$100)	Cedar: Blue, Red, Black, Brown, Weathered Wood or No Color Treated Pine: Not Available		Available upon request.	
Discharge from Foundation	Parallel: 4' 1" Perpendicular: 10' 9"	Parallel: 4' 1" Perpendicular: 7' 4"	Parallel: 4' 1" Perpendicular: 10' 9"	Parallel: 4' 1" Perpendicular: 7' 4"
PRICING	Cedar: \$2,400 Cedar w/ Color: \$2,500 Treated Pine: \$2,000	Cedar: \$2,100 Cedar w/ Color: \$2,200 Treated Pine: \$1,800	\$700 plus shipping	\$800 plus shipping
Estimated Cost of Lumber & Materials	n/a	n/a	Cedar: \$650 - \$825 Treated Pine: \$400 - \$500	Cedar: \$500 - \$625 Treated Pine: \$300 - \$375

StormGUARDen Maintenance

- **Remove debris (sticks/leaves/etc) from the trough and outlets:** A few times per year, a handful or so of leaves might gather in the trough or near the outlets on the inside of the device. With a gloved hand, clear debris from the trough and compost or dispose of it. Next, clear the outlets with a cylindrical rod such as a dowel or screwdriver. Then, with a gloved hand, remove and compost or dispose of any debris. Frequency of cleanings will vary based on proximity of nearby trees.
- **Remove weeds as needed:** As with any other garden, if you see something that's not supposed to be there, pull it! Weeds tend to get tangled up with the beneficial native plantings and restrict their access to sunlight and water.
- **Know your plants:** Different plants have different needs. Some plants may benefit from a seasonal pruning while other plants may develop a mineral deficiency. Prune and apply compost as needed for your various plants. We recommend cutting all plants down to 6" in height after the first winter freeze.
- **Note about Winter:** StormGUARDen™ has the added benefit of functioning in winter months. While rain barrels need to be emptied and taken into the garage, or flipped upside down, StormGUARDen™ manages rainwater and snowmelt all winter. If you are using your StormGUARDen™ to store water, just be sure to open the spigots before temperatures dip below freezing to allow it to empty. When the temperature rises above freezing, the system will begin flowing as usual.

Get in touch with us!

(414) 520-5783

info@stormGUARDen.com

FREE Site Assessments in SE Wisconsin OR download self-site assessment at www.StormGUARDen.com.

